

Specification sheet LX 845

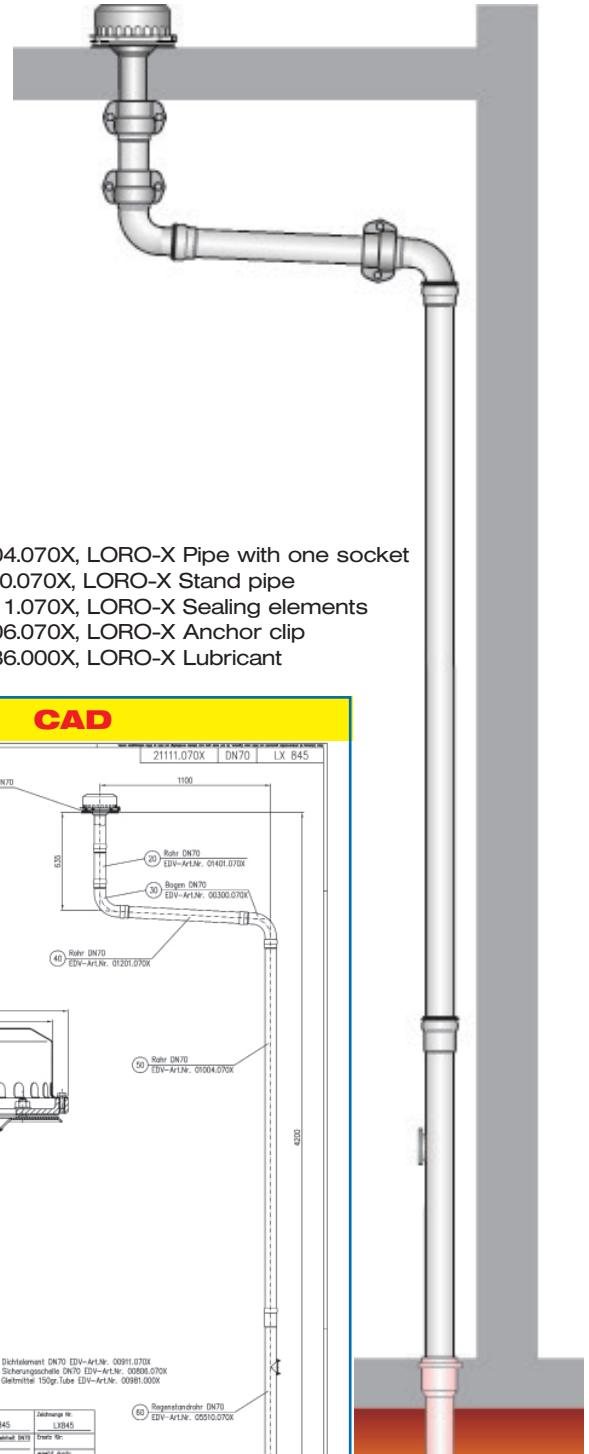
**Roof drainage systems
DRAINJET® Series 49 (DJ)**

Main drainage

Siphonic flow

Silent Power

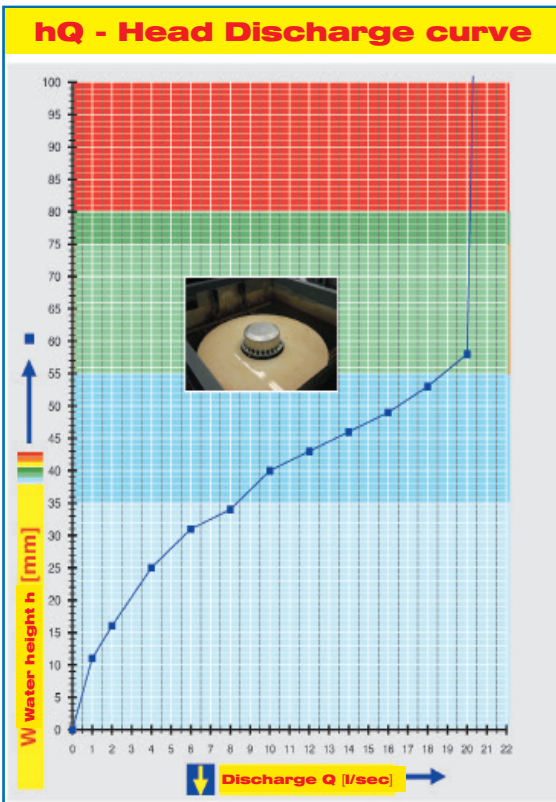
Discharge:	18,8 l/sec
Water height:	55 mm
Roof penetration:	-
Diameter:	DN 70
LX-Number:	LX 845
Weir height:	0 mm
Drain:	not ventilated
Downpipe:	not ventilated
Downpipe height:	4,2 m
Drainage:	in sewer



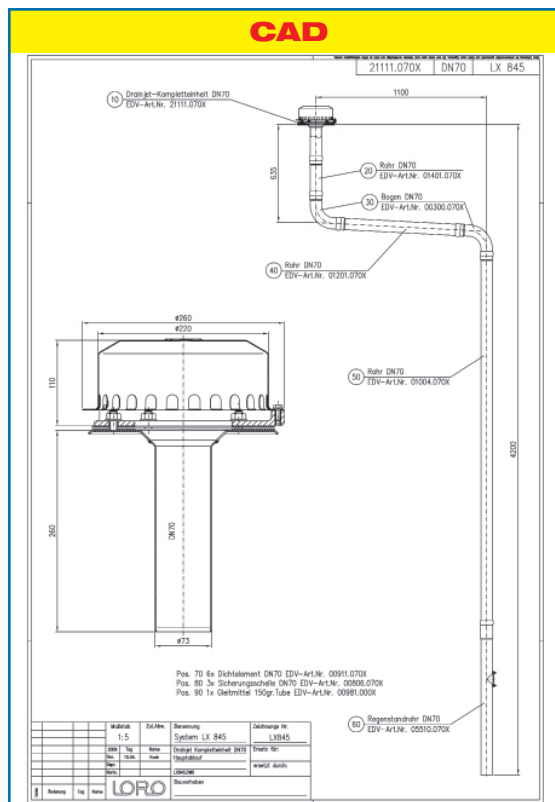
LX 845 Piece list

- 1 x Art.-No. choose drain on page two!
- 1 x Art.-No. 01401.070X, LORO-X Pipe with one socket
- 2 x Art.-No. 00350.070X, LORO-X Bend
- 1 x Art.-No. 01201.070X, LORO-X Pipe with one socket

- 1 x Art.-No. 01004.070X, LORO-X Pipe with one socket
- 1 x Art.-No. 05510.070X, LORO-X Stand pipe
- 6 x Art.-No. 00911.070X, LORO-X Sealing elements
- 3 x Art.-No. 00806.070X, LORO-X Anchor clip
- 1 x Art.-No. 00986.000X, LORO-X Lubricant



Systempower



Systemshape

Water height	mm	5	10	15	20	25	30	35	40	45	50	55	60	65	70	75
Discharge	l/sec		0,9	1,8	2,8	4	5,5	8,3	10	13,3	16,5	18,8				
Silent Power																

Choose drain for piece list on page one!

DN 70

without thermal insulation

LX845-5X

**with clamping flange
one-piece**
for bituminous and plastic
roofing sheets



Drain
Art.-No. 21111.070X



Fire protection drain
Art.-No. 22101.070X



Drain
Art.-No. 21121.070X



Fire protection drain
Art.-No. 22121.070X



with thermal insulation

LX845-7X

**with clamping flange
one-piece**
for bituminous and plastic
roofing sheets



Drain
Art.-No. 21112.070X



Fire protection drain
Art.-No. 22102.070X



Drain
Art.-No. 21122.070X



Fire protection drain
Art.-No. 22122.070X



with thermal insulation and heating

LX845-9X

**with clamping flange
one-piece**
for bituminous and plastic
roofing sheets



Drain
Art.-No. 21113.070X

LX845-10X

**with clamping flange
two-piece**
for bituminous and plastic
roofing sheets



Drain
Art.-No. 21123.070X



Fire protection drains: The discharge capacity of the DRAINJET fire protection drains is identical to the one of the standard DRAINJET drains.

Heat tracing: Lorowerk recommends to check all drains and pipes with regard to their frost-sensibility. Where necessary, these parts should be upgraded with heat tracing.